



# ***Ferrari Club of America***

***Concours***

***Coppa Bella Macchina***

***Coppa GT***

***Futuro Classico***



October 26, 2019

**Concours info:** FCA web site – Events – FCA Concours events, Concours documents

# Authentic Ferrari Names

**“Modena” -- 360 Modena**

**“Lusso” -- 250 GTL Lusso Berlinetta**

**“Fiorano” – 599 GTB Fiorano**

**“348 TB Challenge” -- 348 Challenge**

**“Fiorano 599” -- 599 GTB Fiorano**

**“16M” -- 430 Scuderia Spider 16M**

**“Italia” -- 458 Italia**

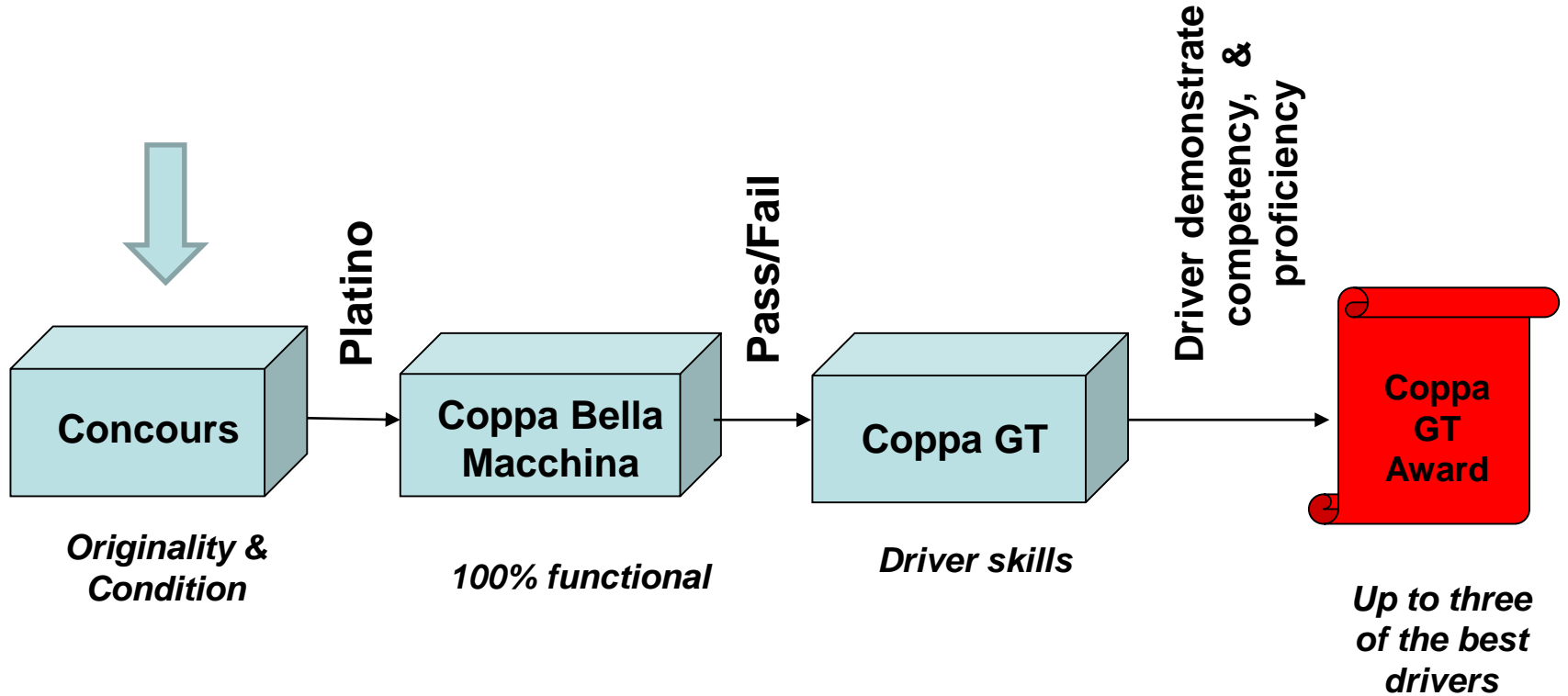
**“Maranello” – 550 Maranello or 575M Maranello?**

**308 GTS – 308 GTSi – 308 GTS QV – they are distinct**

**F355 – 355 F1**

**Use of the guide in the back of Cavallino as standard nomenclature**

# The Competition Sequence



# Concours Awards

- **Class Awards:**
  - Cars divided into roughly similar classes (varies with number of entries)
  - Cars in each class evaluated against standards (not against others in the class)
    - 97 + points = Coppa di Platino (may be multiple awards)
    - 92 + = Coppa d'Oro (one)
    - 87 + = Coppa di Argento (one)
- **Major awards:** (chief class judges)
  - All Platino winners are considered
  - All considered equal



# Concours Judging Guidelines

- **The FCA uses: *International Advisory Council for the Preservation of the Ferrari Automobile (IAC / PFA):***
  - Establishes the Judging Guidelines and judging forms and awards.
  - Independent of FCA – independent council of 20 members
- Three person teams for each class (Interior, Exterior, Engine/Chassis)
- Must be driven onto field – fully assembled
- Owner, or designated representative, presents the car during judging
  - Inform the judges of unusual features & provide documentation
  - Preservation cars must have history of preservation/maintenance (documentation)
  - Race cars must be as originally manufactured OR as raced (need documentation)
  - Classiche Certification – engine and drive train are authentic (Red Book)
  - New(er) cars – what was original; what factory options (documentation)
- At start of judging, each car is assumed to have 100 points. Deductions of 0 to 5 points are taken on each judged component
- Judges will ask that you demonstrate windows, engine, instruments, doors, lights, etc.

# Concours Judging Guidelines (cont.)

- Top up or removable panel in place. Electrically operated tops must be demonstrated
- Engine will be run and checked for leaks, smooth idle, instruments, etc.
- Factory options are considered original, after-market options are not.
- Factory-provided pollution equipment must be in place w/ working appearance
- Replacement items must be similar in size, characteristics, and appearance as original (replacement items are: tires, battery, all windows, spark plugs, filters, hoses, etc.)
- All originally provided tools, manuals, pouches, etc. (good reproductions ok)
- Safety items such as seat belts, fire extinguisher, side mirror, and alarm are ok but must be unobtrusive and neatly installed
- Conversions and unauthorized rebodies are ineligible for judging

# Maximum Deductions

<u><i>Exterior</i></u>		<u><i>Interior</i></u>		<u><i>Engine/Chassis</i></u>	
Coachwork, body	5	Headliner	2	Engine type	5
Doors, hood, trunk	4	Upholstery (seats, console, doors)	4	Engine serial number	1
Top	3	Carpets, pedal, shifter	2	Engine, auxiliaries, transmission, differential	4
Paint	5	Dashboard & instruments condition	3	Fluid lines (oil, fuel, water)	3
Plating	3	Steering wheel, levers, controls, column	2	Electrical system components, incl. battery	3
Lights condition	4	Trim & emblems	2	Fuel system, carbs, injection, linkages	2
Trim / Emblems	3	Window operation	2	Wheels & tires	4
Glass, plexiglass	3	Trunk (carpet, paint, decals, hardware)	2	Underside, fenders & frame	2
Rubber, window felt	3	Tools, spare, and manuals	4	Chassis, brakes, suspension components	3
		Instrument operation (clock, radio, A/C, lights)	5	Exhaust, mufflers, pipes, cats, manifolds, hangers	2
		Exterior light operation	5	Engine operation, smoothness and leaks	5
<b>TOTAL EXTERIOR</b>	<b>33</b>	<b>TOTAL INTERIOR</b>	<b>33</b>	<b>TOTAL ENGINE/CHASSIS</b>	<b>34</b>

# Race Cars in Concours

Race cars are judged by this criteria:

- Older race cars:
  - As it left the factory, or
  - A particular race in period
- Newer race cars:
  - As it left the factory, or
  - The series/event, sanctioning body and dates. You provide the documentation describing the configuration requirements
    - *Examples: Ferrari Challenge Series; 550 GTS (Prodrive); 360 N-GT (FIA, ALMS, LeMans); F430 GT (FIA, ALMS, Le Mans); 458 Italia GT & GTC (ALMS, LMS, Le Mans)*

***Must be authentic purpose-built Ferrari race cars with documentation provided by owners***



# Documenting New(er) Ferraris

Every car is a custom one-off -- what is original?

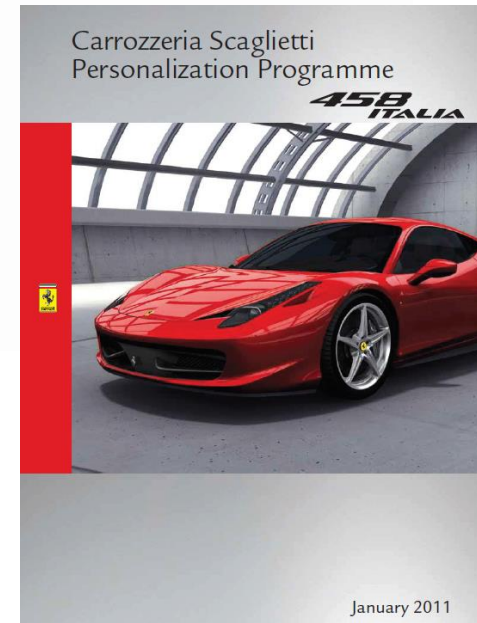
166797

Sequence	Product Feature	Option		
1	INTC	Internal colors	364014208	BEIGE 4208
2	EXTC	External colors	364000000	EXTRACAMPIONARIO-NOT STANDARD
3	CRPT	Carpets colors	364900152	NERO 152 (BLACK)
13	CCMD	CARBOCERAMIC BRAKE SYSTEM	SI	SI
26	DAY1	DAYTONA STYLE SEAT	364014208	BEIGE 4208
36	INST	INSTRUMENT PANEL	094077935	STRUMENTAZIONE COLORE GIALLO
42	LEA1	LEATHER DASHBOARD AND TUNNEL	SI	SI
44	LOGO	'SCUDERIA FERRARI' SHIELDS	SI	SI
50	PAR2	FRONT AND REAR PARKING SENSORS	SI	SI
51	PIP1	COLOUR UPON REQUEST FOR PIPING	364014481	BORDEAUX 4481
53	PNT0	OUT-OF-RANGE PAINT COLOUR	065452200	ROSSO FIORANO 321
58	RIMY	BALL POLISHED CHALLENGE RIMS	SI	SI
60	RSFE	FULL ELECTRIC SEATS	SI	SI

- Options that came on this car (599 GTB Fiorano). Data from Ferrari dealer.

“Personalization” options that are factory authorized (458 Italia)

Obtain the information for your car!



# Checking the Interior

- Minimal or no deduction for minor wear areas
- Everything must work: clock, instrument lights, interior lights, backup light, radio, A/C, fans, vents, etc.
- Seats / door panels / carpet must be of similar material as original (leather, vinyl, cloth) and assembled as original (seat pleating, piping, door map pockets)
- Headliner - original style and color
- Original steering wheel type – no after market
- Windows operate smoothly
- Tools, manual, and spare must be as originally provided with the car
- Trunk – correct carpet, interior light, paint, overflow hoses, etc.
- Trim correct – screws (slotted vs. Phillips), bevels, washers, finish, etc.
- Door gaskets / window seals correct and in good condition
- Seat belts are ok – even if not originally fitted – if unobtrusive & neatly installed

# Checking the Interior



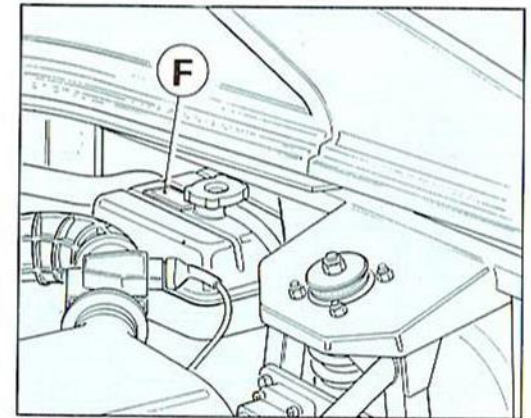
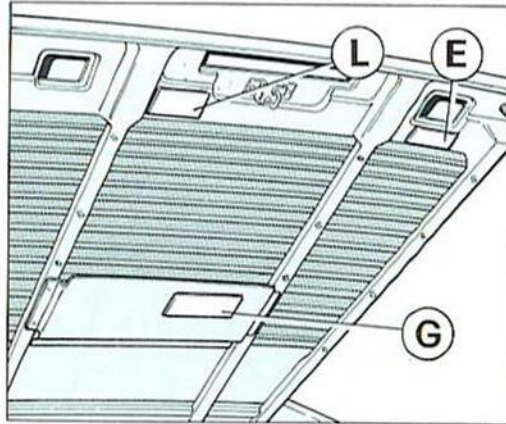
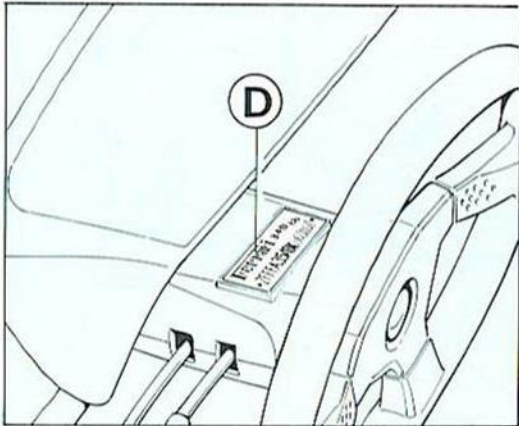
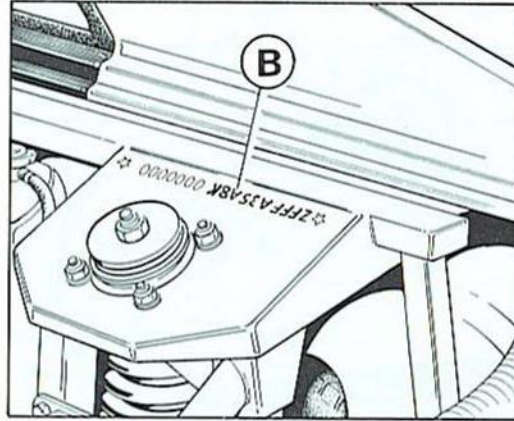
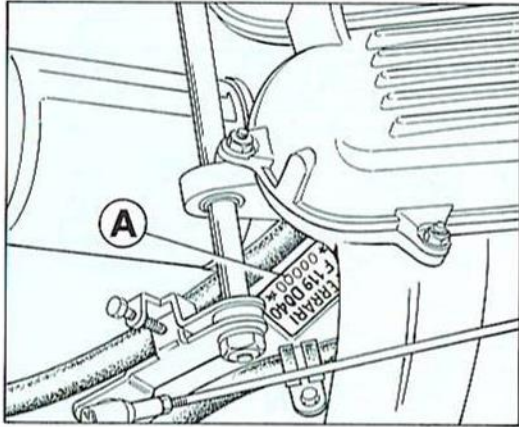
# Checking the Engine Compartment / Chassis

- No leaks of fuel, oil or water; hoses correct
- Plating on clamps, pipes, nuts correct
- Compartment / chassis paint correct
- Decals in place – DoT, EPA, firing order, paint, etc.
- Correct paint for radiator, air cleaner, cam covers
- Smooth idle, no exhaust leaks
- Underneath: Correct profile tires, wheels, brakes, hoses, paint, undercoat
- Plating of metal components correct
- Correct engine type and serial number
- Insulators for spark plugs, condensers, modules, etc.
- Correct exhaust – not aftermarket
- Battery – neat and unobtrusive replacement, same size as original

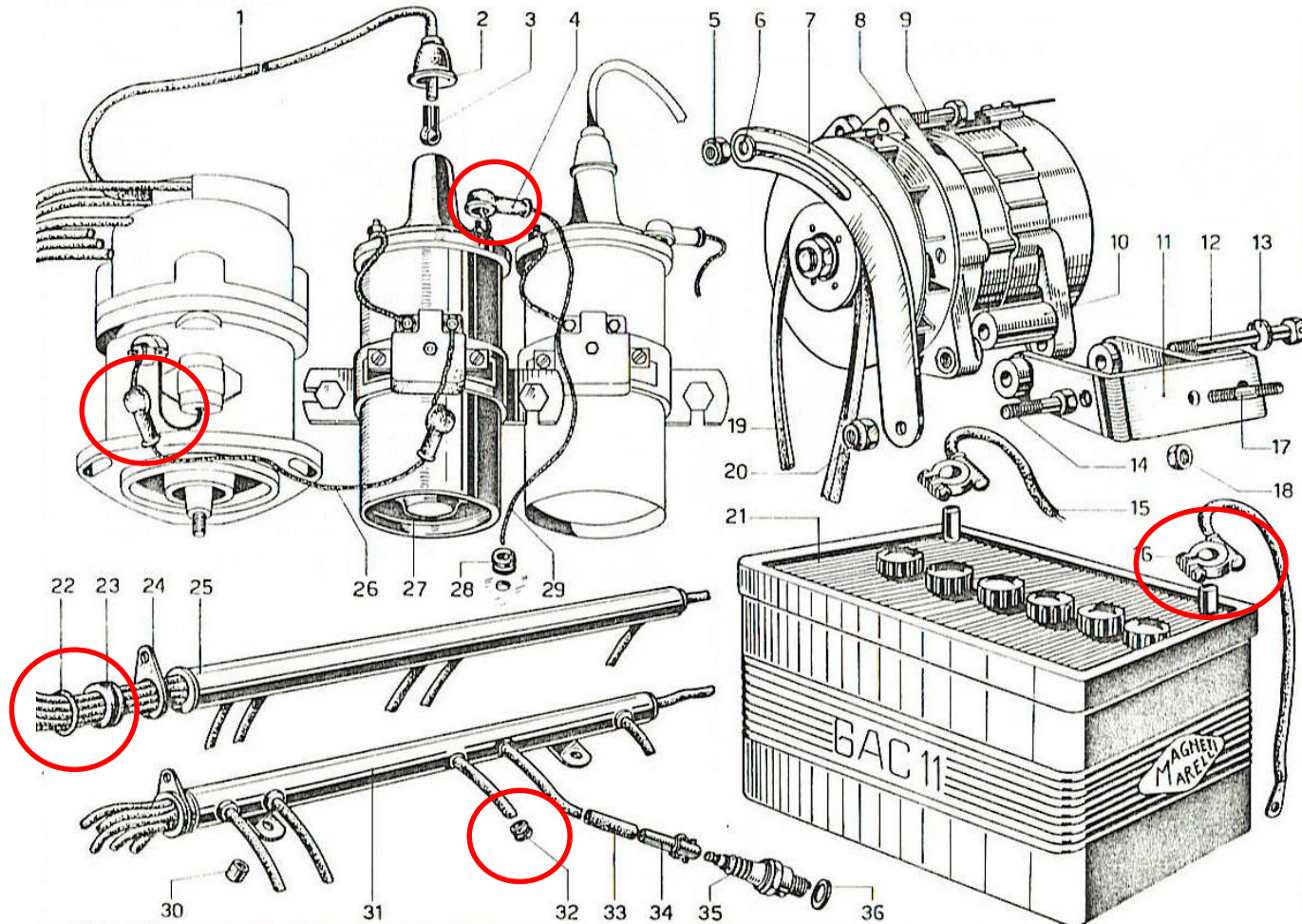
# Checking the Exterior

- **Badges:** correct for car; no aftermarket badges
- **Glass:** correct size and fit – does not need original logo
- **Color:** must be an appropriate period color for Ferrari when manufactured
- **Lenses:** correct tail lights, turn signals, headlights.
- All exterior lights must work properly
- **Paint / chrome:** good but does not have to be spotless; minor paint chips ok as evidence of use.
- **Top:** same style, material, and assembly as original
- Outside rear view mirror, radio, etc. “neat, unobtrusive, . . .”
- **Panel fit:** gaps correct (*as originally manufactured*)
- **Bumper:** proper gaps, mounts

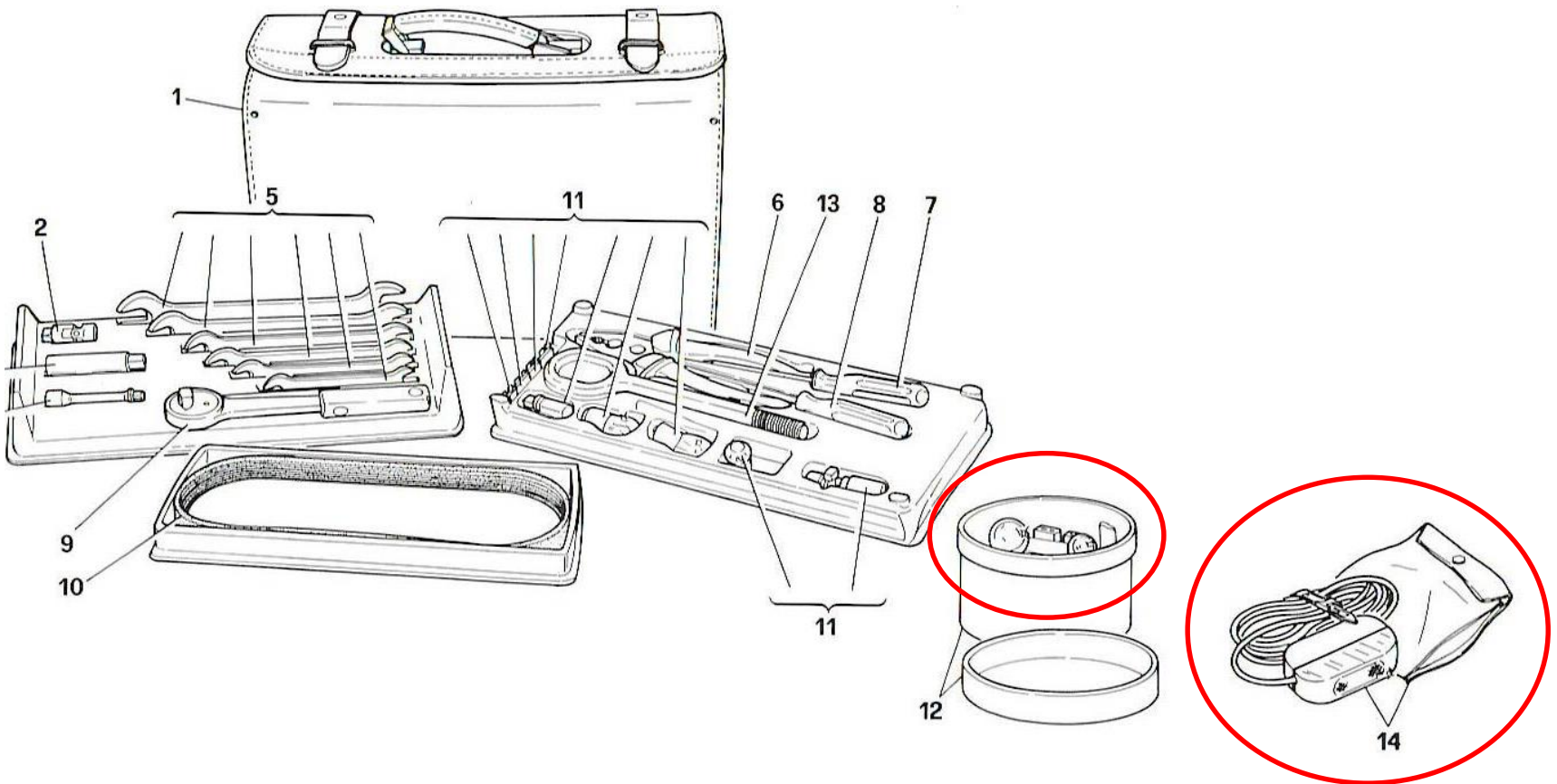
# Labels



# Checking Electrical



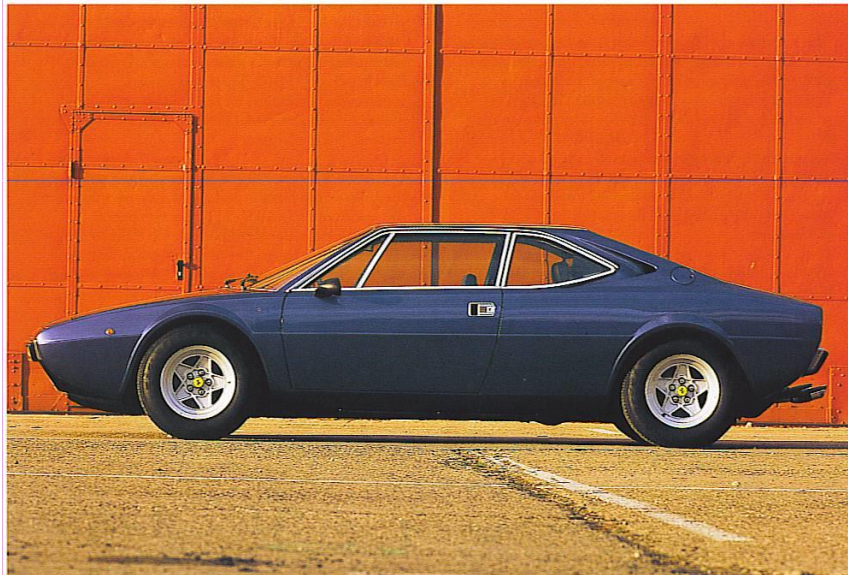
# Checking Tools





**Do Your Own Research --**  
**Talk to People -- Look at Their Cars**

ORIGINAL  
**FERRARI V8**  
by Keith Bluemel



# Typical Deductions for Early Cars

- Poor (or too perfect) fit of doors, hood, trunk lid, rubber
- Oil or gas leaks
- Incorrect hose clamps
- Poor idling of engine
- Incorrect hardware – nuts, bolts, brackets, etc.
- Poor condition – rust, corrosion, dirty
- Incorrect / damaged headliner materials
- Poor interior / seat condition or restoration
- Heel pad missing / incorrect
- Missing portions of tools and manuals
- Poor fit of bumpers
- Incorrect painting underneath
- Non-original exhaust
- Stained / dirty carpets
- Miscellaneous suspension components w/ incorrect paint or plating

*Research what is  
correct before  
putting your  
hands on it!*

# Typical Deductions for Later Cars

- Removable and convertible tops dirty or torn
- Aftermarket parts – door jams, console, exhaust, wheel center caps
- Non OE fender badges
- External light lenses dirty and cracked
- Aftermarket exhaust, air boxes, etc.
- Engine compartment corrosion
- Various electrical bulbs do not work
- Poor condition of decals
- Extra carbon fiber trim
- Aftermarket carpet / mats
- Rear bumper alignment
- Significant dash warpage
- Rubber gaskets cracked / deteriorating
- Non OE calipers
- Drilled/slotted rotors
- Aftermarket valve stems / caps
- Aftermarket hose clamps (Home Depot?)
- Sticky interior parts

Most are condition based.

More emphasis on originality. Document factory as-delivered & accessories.

Buy documented cars - keep documentation.

Normal wear is acceptable – negligence is not

*See Preservation next*

# Preservation Class

- Originality is the primary criteria without regard for condition as long as the part can serve its intended purpose.
- The Standard: Does the item, part, fabric, plating, or coating appear to be that which was specifically installed or applied on this car at the time of manufacture?
- Goal:
  - Retain factory originality and reward the best examples that have not been restored in any way except to maintain them to be functional.
  - Reference tool for the benefit of all Ferrari owners.
- Criteria:
  - 30 years or older.
  - 3 person judging teams.
  - 97 or more points earn Preservation Platino; no Oro or Argento awards.
  - Age credit for older cars.
- Caveat: Care must be taken when attempting to correct deficiencies to not further detract from originality.
- Summary: Encourage owners not to restore their cars beyond what is necessary to maintain functionality.
  - Owners who drive their original cars can compete.

# Preservation Ferrari Judging Criteria

(12-4- 2015)

*The Preservation Class is intended to encourage owners to not restore or modify their cars while making allowance for deterioration and inoperability of some components. There is inherent value to the community in preserving a car without modification or restoration to serve as a standard for the future.*

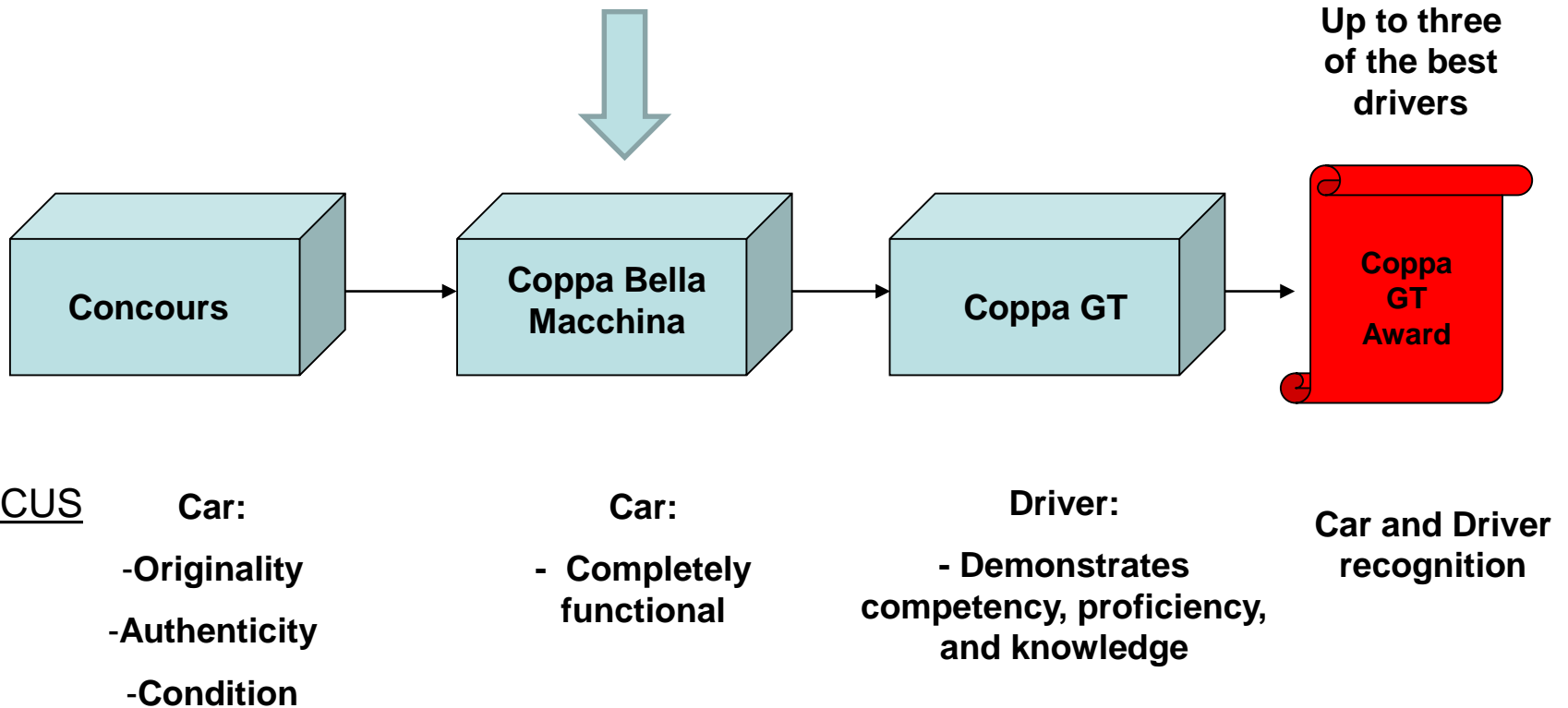
Deduction guideline for each component	Deduction
Original - less than 10% restored ( <i>near perfect</i> )	0
Original - 10 - 30% restored ( <i>good</i> )	1
Original - 30 - 60% restored ( <i>fair</i> )	2
Original - greater than 60% restored or replacement ( <i>not preserved</i> )	3

- How close is this car to being a reference standard as a significant teaching and learning tool for the model?
- **Must be at least 30 years old**
- **97 points or more will earn a Preservation Platino**
- **Mileage and use are not factors**
- **Replacement items (battery, tires, etc.) are acceptable Original tires will receive a ½ point bonus**

Age Bonus:	Bonus
1947 - 1956 (excl 250s)	+5
1956 - 1959 (Boano, Ellana, Europa, TdF, TR, Cab I)	+4
1957 - 1964 (Pf Cp, Cab II, 400SA, SWB, GTE, Lusso)	+3
1964 - 1971 (275, 330, 365 GTC, 365 Cal)	+2
1968 - 1976 (Daytona, 246, GTC/4)	+1

	Bonus
Points for Age Factor	+1 to +5

# The Competition Sequence

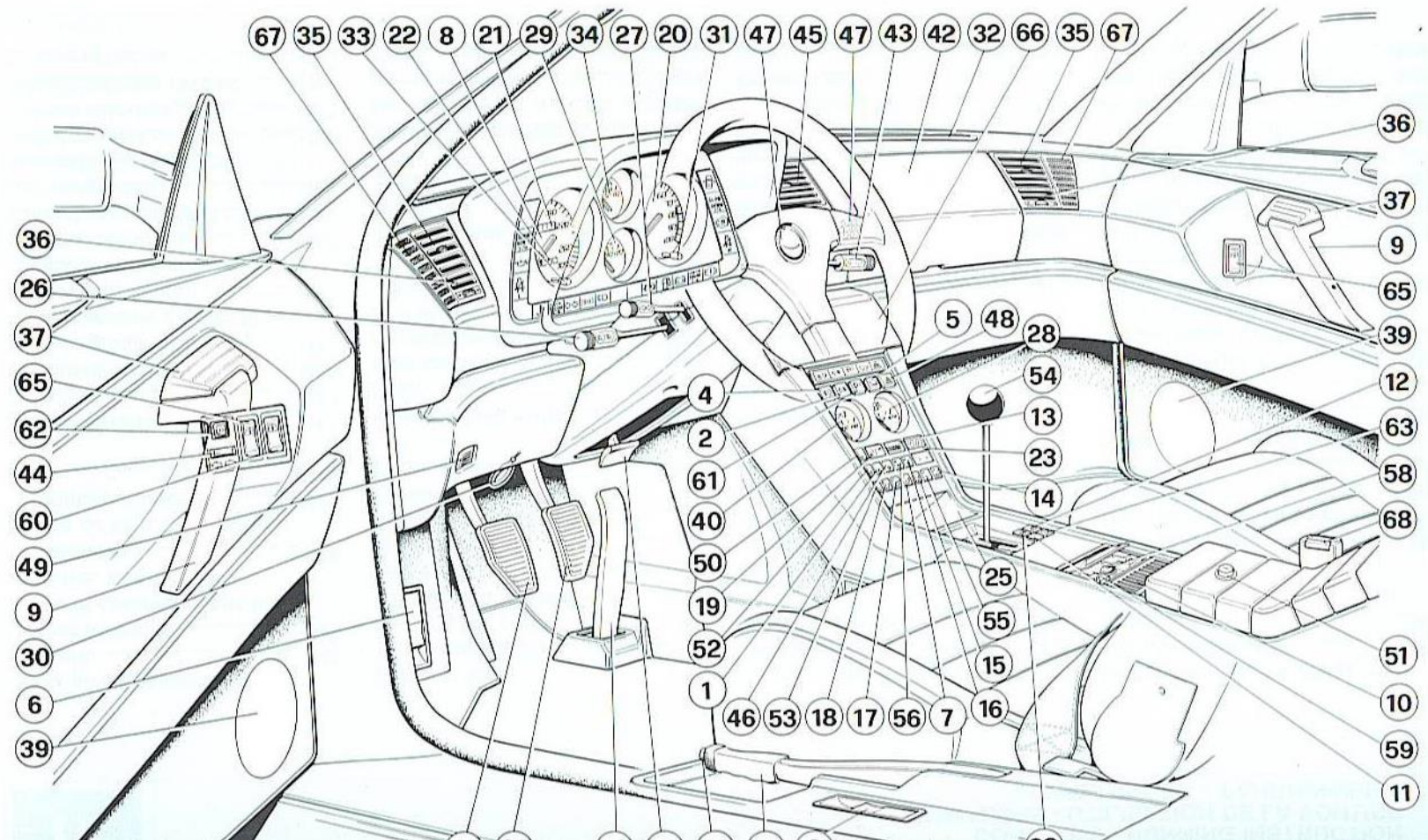


# Coppa Bella Macchina

- **Objective:** recognition that every component and accessory works precisely as delivered.
- **Prerequisites:** Must have 97 points or better in Concours (Platino) and have entered the CBM (also: owner shows car & present driver's license, insurance, registration)
- **Procedure:** Detailed operational evaluation checklist. Pass or Fail. Static & road test
- **In case of a problem:** One hour to fix one problem
- **Preparation:** Check your own car before the evaluation (checklist / owners manual)
- **Historical failures:**
  - Windshield wipers & washers don't work (no fluid, incorrectly aimed)
  - Missing / inoperable trouble light; interior light does not work
  - A/C or radio or tape player does not work (no demo tape or CD)
  - Glove box does not lock – no key; door won't stay up on its own
  - Engine misfire; turn signals don't self cancel
  - Clock or other instrument (or instrument light) does not work
  - Seat belt warning lights and buzzers don't work
  - Door locks don't function correctly
  - One or more engine warning lights illuminated – air bag light?
  - Race cars: no documentation of authorized race modifications.
  - Headrests don't go up/down
  - Engine / trunk lid won't stay up unassisted.

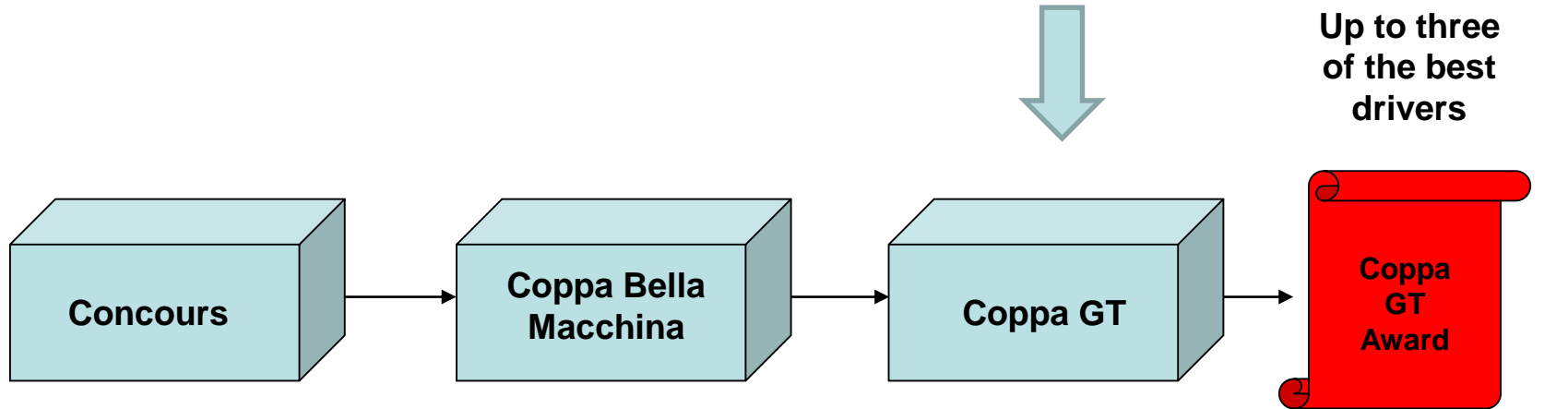
# Controls and Instrumentation

Use to supplement the CBM Check sheet





# The Competition Sequence



## FOCUS

### Car:

- Originality
- Authenticity
- Condition

### Car:

- Completely functional

### Driver:

- Demonstrates competency, proficiency, and knowledge

Car and Driver recognition

# Coppa GT

*Highest award an individual can receive in the FCA*

- Evaluation of driver skills on the track at a speed consistent with the car's capabilities by non-partisan track evaluators familiar with FCA objectives

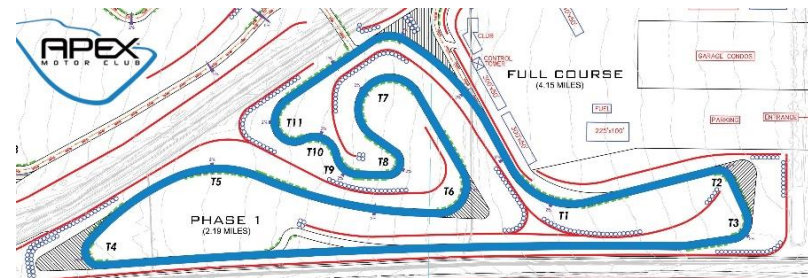
- Safety equipment
- Attitude, preparedness, knowledge, awareness
- Skills when approaching the limit
- Dealing with the unexpected
- Comply with all local track / safety rules
- Comfortable with handling car at speed vs “tunnel vision”

- Suggestions

- Drive your car on the street – get comfortable with car
- Get track instruction and experience – preferably at CGT track

- Historical problems

- General lack of familiarity with car (acceleration, braking, placement on track)
- Not smoothly shifting or twitchy handling of car – erratic brakes / throttle
- Failure to obey flags
- Unfamiliar with track and/or unfamiliar with car's capabilities at speed
- Loss of mental awareness – come in too early or late; passing zones
- Over-reliance on electronic handling
- Uncomfortable with other cars – passing / being passed.
- Effective use of the car's power band



# Futuro Classico



- **Document the as-delivered condition**
- **Train judges for future use**
- **Establish database**

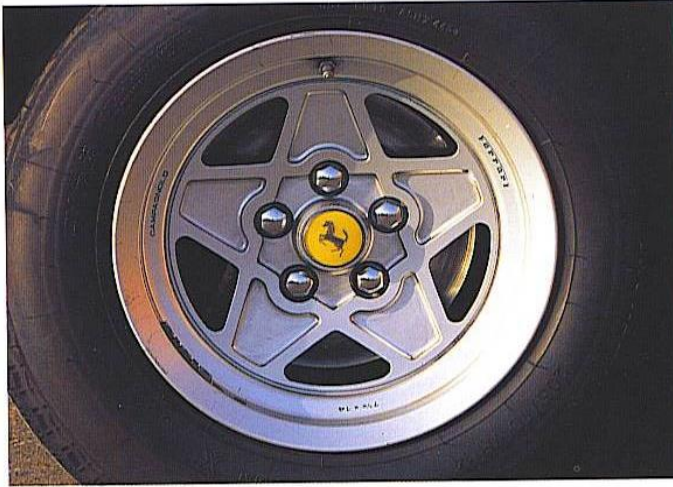
# Futuro Classico

- All components, options, and accessories from factory
- 100% pass / fail
- Certificate of authenticity for those cars found eligible.



**Additional topics**

## 308 / 328 Wheels

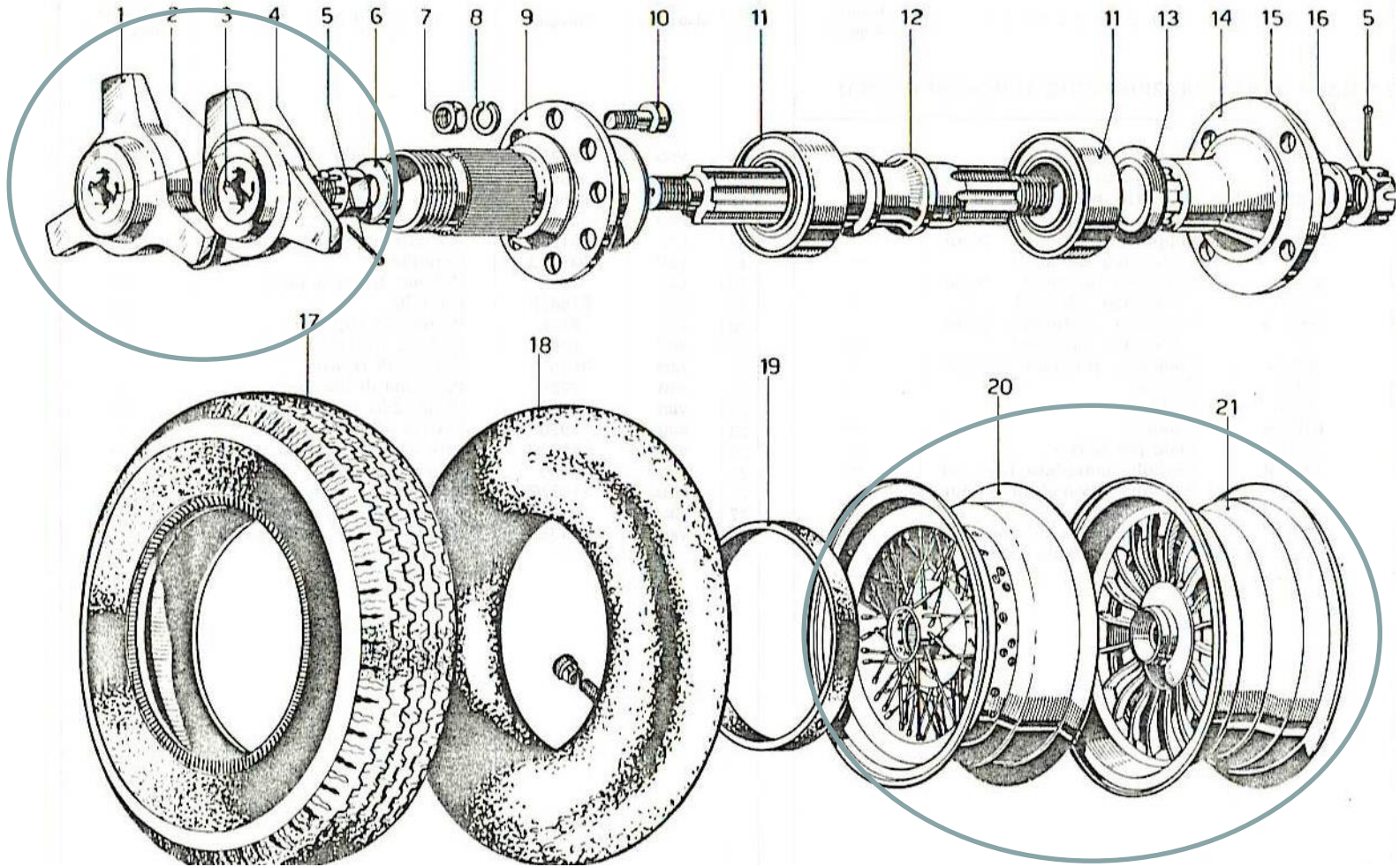


Left: 308GTB/S Carburetor  
Right: 308GTBi

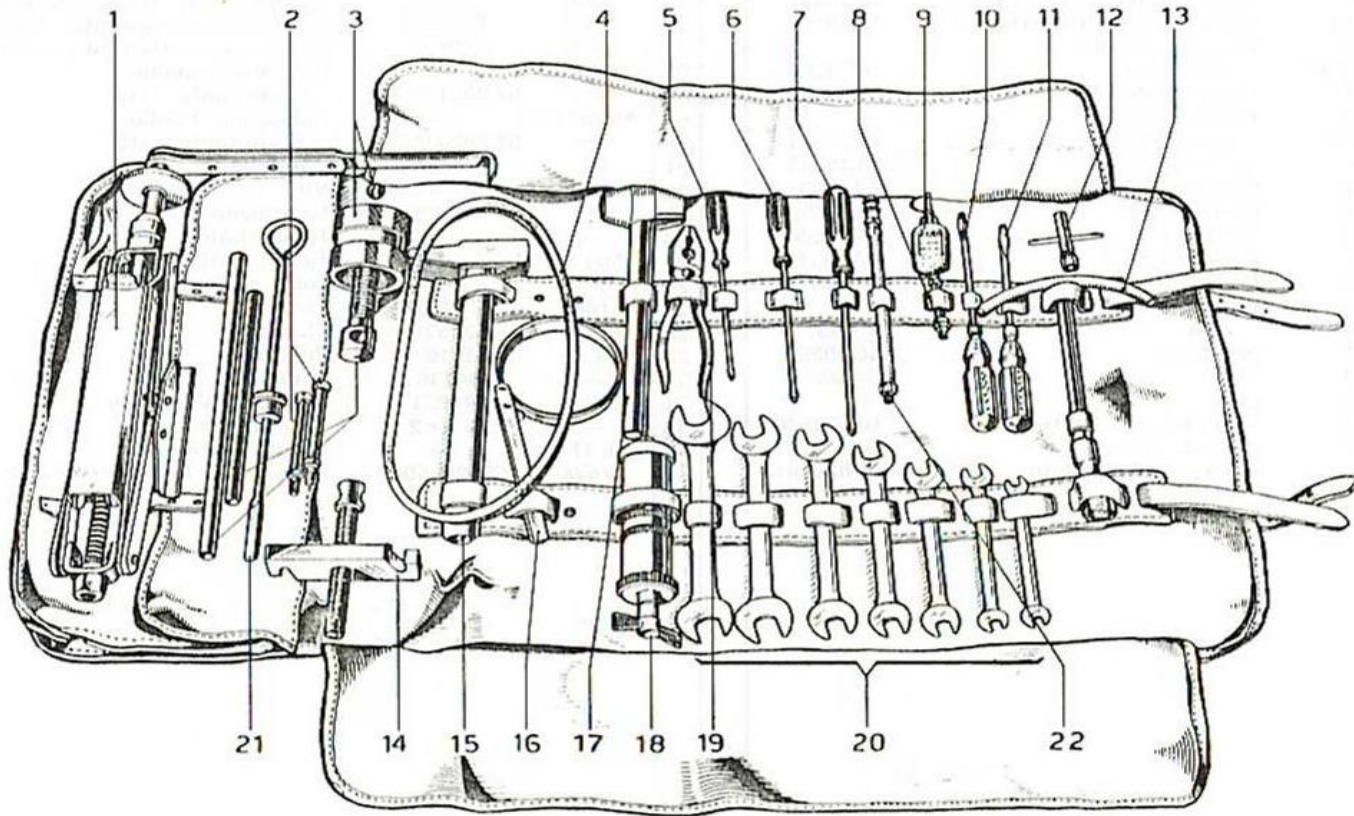


Left: 328 w/o ABS  
Right: 328 w/ ABS

# Wheels

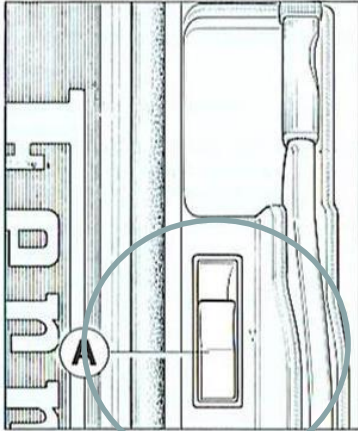


# Checking Tools



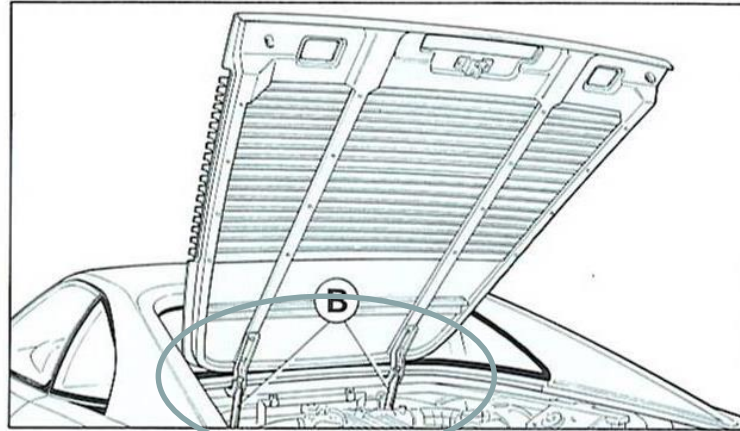


# Various Checks



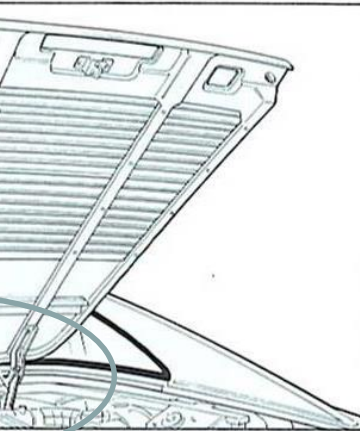
**Fig. 17 - 18 - 19 - Cofano motore**  
A - Levetta apertura cofano; B - Ammortizzatori sostegno cofano; C - Anello per apertura di emergenza.

**ACCESSIBILITA' AL TAPPO SERBATOIO CARBURANTE (fig. 20)**



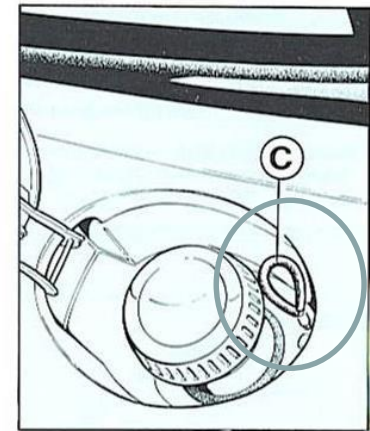
**Fig. 17 - 18 - 19 - Engine cover**  
A - Lever for opening engine cover; B - Engine cover holding shock absorber; C - Ring for opening in emergencies.

**ACCESS TO FUEL FILLER CAP (Fig. 20)**



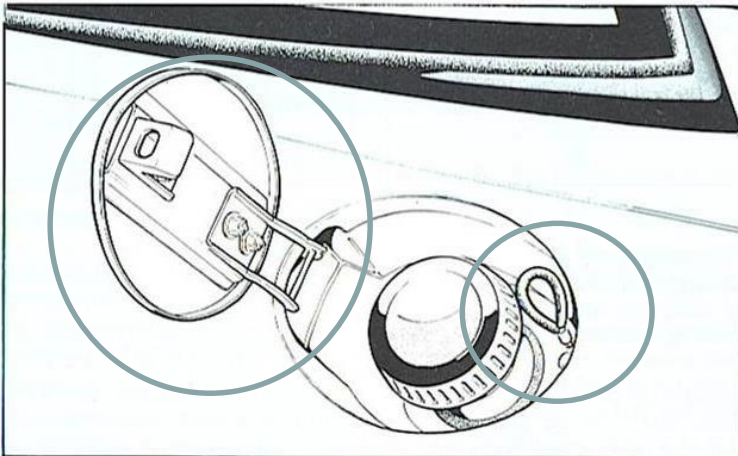
**Fig. 17 - 18 - 19 - Capot moteur**  
A - Levier ouverture capot; B - Amortisseurs soutien capot; C - Anneau d'ouverture de secours.

**ACCES AU BOUCHON RESERVOIR CARBURANT (Fig. 20)**

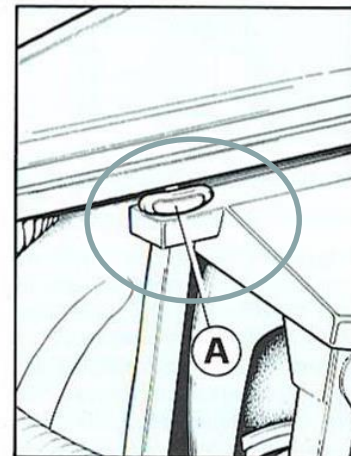


**Abb. 17 - 18 - 19 - Motorhaube**  
A - Hebel Öffnung Motorhaube; B - Motorhaubenhalterestößdämpfer; C - Ring für Öffnung in Notfällen.

**ZUGANG ZUM TANKEINFÜLLSTUTZENVERSCHLUSS (Abb. 20)**

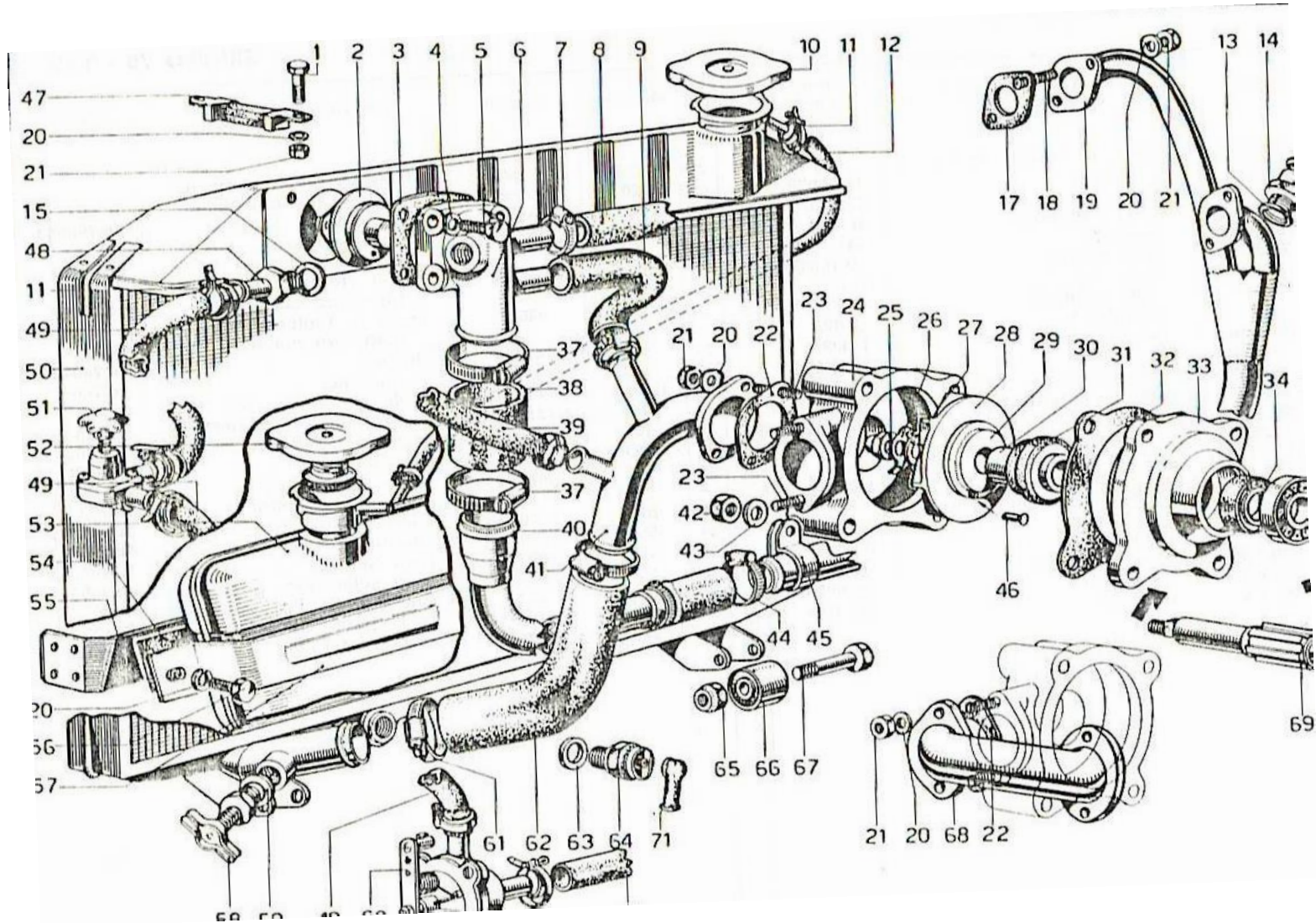


**Fig. 20 - Tappo serbatoio carburante**  
**Fig. 20 - Fuel filler cap**  
**Fig. 20 - Bouchon réservoir carburant**  
**Abb. 20 - Tankeinfüllstutzenverschluß**

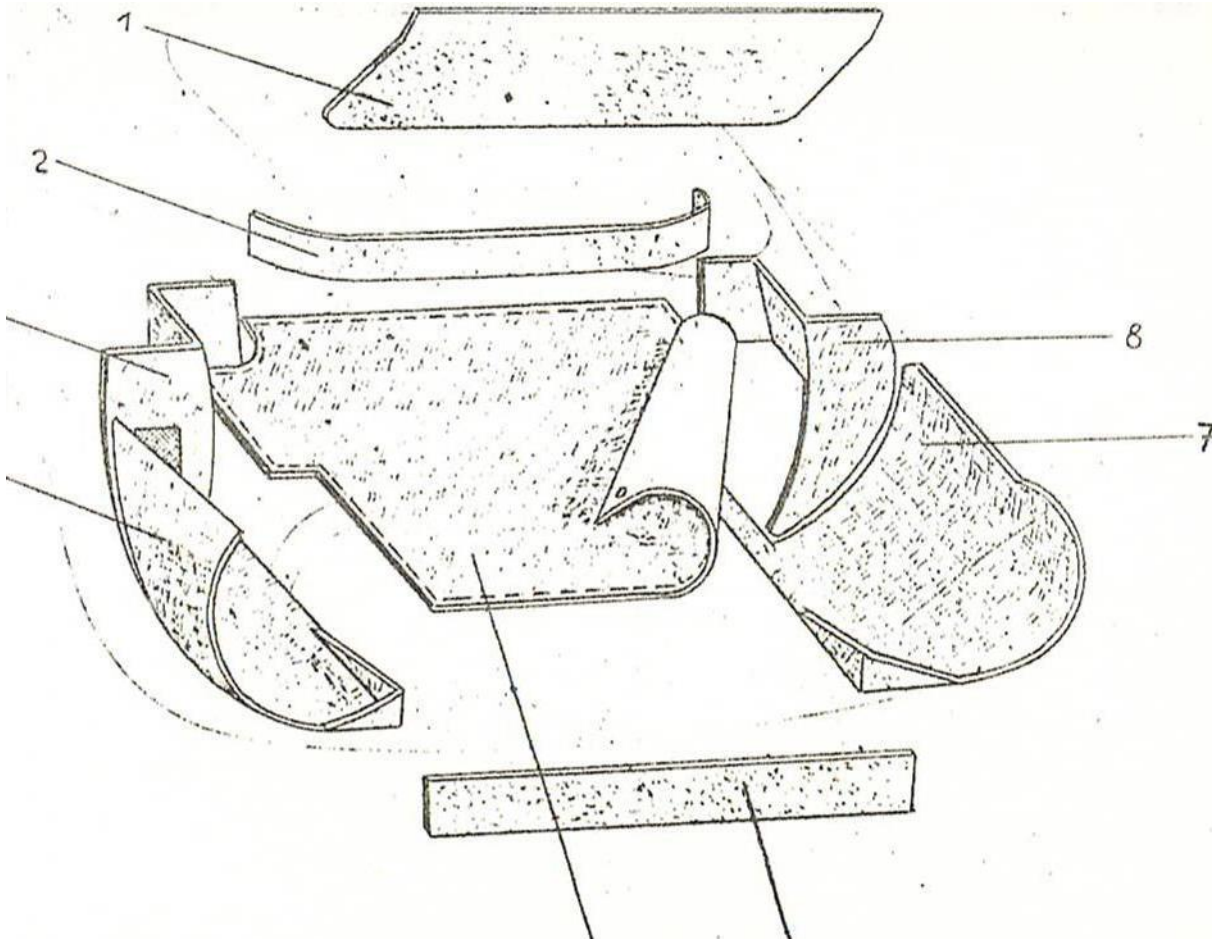


**Fig. 21 - Apertura di emergenza**  
**Fig. 21 - Emergency opening**  
**Fig. 21 - Ouverture de secours**  
**Abb. 21 - Notfallöffnung**

# Checking Engine Cooling



# Carpets



GRUPPO SPORTELLLO BAULE - TAPPETI	Foglio N.
Vettura " Ferrari " 275/GTB	11 Giugno